

HIGH RATE SERIES



UPS12-310

**VALVE REGULATED
LEAD ACID BATTERY
FOR UPS STANDBY
POWER APPLICATIONS
12V 88 AH @ 20 HR RATE,
12V 330 WATTS/CELL
@ 15 MIN. RATE**

FEATURES

- Flame-arresting one-way pressure-relief vent for safety and long life.
- Thermally welded case-to-cover bond to eliminate leakage.
- Absorbent Glass Mat (AGM) technology for efficient gas recombination of up to 99% and freedom from electrolyte maintenance.
- Computer-generated grid design optimized for high power density.
- UL-recognized component.
- Multicell design for economy of installation and maintenance.
- Can be mounted in any orientation.
- Not restricted for air transport – Complies with IATA/ICAO Special Provision A67
- Not restricted for surface transport – Classified as non-hazardous material as related to DOT-CFR Title 49 parts 171-189.
- Computer designed lead, low calcium alloy grid for minimal gassing and ease of recycling.
- Case and cover available in both standard and flame retardant polypropylene.
- Flame retardant polypropylene case and cover compliant with UL 1778 (optional).

12 Volts – 330 Watts Per Cell For 15 Minutes to 1.67 Volts per Cell

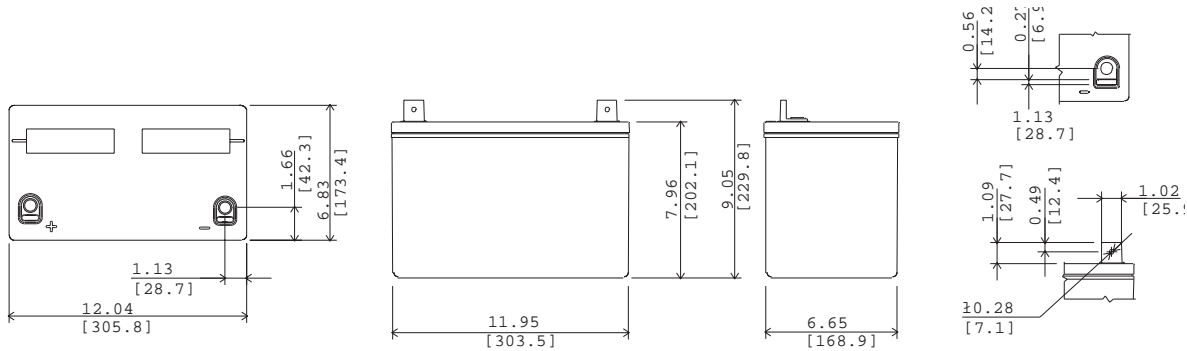
Constant Power Discharge Ratings – Watts Per Cell @ 77°F (25°C)

End Point Volts/Cell	Operating Time to End Point Voltage (in minutes)									
	5	10	15	20	30	40	45	50	60	90
1.67	608	423	330	273	205	165	151	139	120	93

C&D Technologies, Inc.
DYNASTY Division
900 East Keefe Avenue
Milwaukee, WI 53212
Phone: 800-396-2789
Fax: 414-961-6506



UPS12-310



*All dimensions in inches and (millimeters). All dimensions are for reference only. Contact a C&D Representative for complete dimensional information.

UPS12-310 – Specifications

Cells Per Unit	Voltage Per Unit	Weight	Electrolyte	Maximum Discharge Current	Short Circuit Current	Ohms Imped. 60 Hz (Ω)
6	12.84	67 lbs. 30 kg	Absorbed H ₂ SO ₄ SG = 1.300	800 Amps	4200 Amps @ 0.1 sec.	0.0030 Ohms
Capacity	330 watts per cell at the 15 minute rate to 1.67 volts per cell at 77° F (25° C). 88 Ah @ 20 hr. rate to 1.75 volts per cell @ 77° F (25° C) 76 Ah @ 10 hr rate to 1.80 volts per cell @ 20° C (68° F)					
Operating Temperature Range	Discharge; -40° F (-40° C) to +160° F (71° C), Charge; -10° F (-23° C) to +140° F (60° C) (with temperature compensation)					
Nominal Operating Temperature Range	+74° F (23° C) to +80° F (27° C)					
Float Charging Voltage	13.5 to 13.8 VDC/unit Average at 77° F (25° C).					
Recommended Maximum Charging Current Limit	C/5 amperes (17.6 amperes @ 100% depth of discharge) @ 20 hour rate					
Equalization and Cycle Service Charging Voltage	14.4 to 14.8 VDC/unit Average at 77° F (25° C).					
Maximum AC Ripple (Charger)	0.5% RMS or 1.5% P-P of float charge voltage recommended for best results. Maximum voltage allowed = 1.4% RMS (4 % P-P) Maximum current allowed = 4.4 amperes RMS (C/20)					
Self Discharge	Dynasty UPS batteries may be stored for up to 6 months at 77° F (25° C) and then a refreshing charge is required. For higher temperatures the time interval will be shorter.					
Accessories	Inter unit connectors, racks and cabinet systems are available.					
Terminal	"L" terminal with 0.28" clearance hole to accept 0.25" (6mm) bolt.					
Terminal Hardware Initial Torque	65 in.-lbs. (7.4 N-m)					
Terminal Hardware Annual Retorque	52 in.-lbs. (5.88 N-m)					

Constant Power Discharge Ratings – Watts Per Cell @ 77°F (25°C)

End Point Volts/Cell	Operating Time to End Point Voltage (in minutes)									
	5	10	15	20	30	40	45	50	60	90
1.75	555	397	314	262	199	161	147	136	118	92
1.70	591	415	325	270	203	164	150	138	120	93
1.67	608	423	330	273	205	165	151	139	120	93
1.65	616	427	332	274	205	166	151	139	120	93
1.60	633	434	336	277	205	167	152	140	121	93

Constant Current Discharge Ratings – Amperes @ 77°F (25°C)

End Point Volts/Cell	Operating Time to End Point Voltage (in hours)														
	.083	.25	.50	.75	1	2	3	5	8	10	12	20	24	72	100
1.90	145	101	68.0	54.7	41.4	25.4	18.5	12.3	8.40	6.95	5.93	3.83	3.24	1.11	0.81
1.85	184	120	77.0	62.3	47.7	28.2	20.5	13.5	9.10	7.60	6.50	4.11	3.45	1.20	0.87
1.80	222	132	85.0	68.0	51.0	30.3	22.0	14.4	9.60	7.98	6.75	4.30	3.61	1.25	0.90
1.75	252	144	90.0	72.1	54.3	31.0	22.5	14.8	9.90	8.14	6.97	4.40	3.68	1.26	0.92

Note: Batteries to be mounted with 0.5 in (1.25 cm) spacing minimum and free air ventilation. Specifications subject to change without notification.