



**HIGH
RATE
MAX**

UPS12-475MRLP

The Low Profile replacement for
475 watt per cell UPS Batteries

Valve Regulated Lead Acid (VRLA) Battery
Designed for UPS Standby Power Applications



APPLICATIONS

- Data Centers
- Network Operations Centers
- Internet Hosting Sites
- Banks & Financial Markets
- Manufacturing Facilities
- Emergency 911 Response Centers
- Computer Rooms
- Industrial Process Controls

FEATURES & BENEFITS

REPLACEMENT FOR UPS12-475FR

- Shorter case provides more head room for easier maintenance
- Uses same battery-to-battery connectors
- Lighter weight

HIGH RELIABILITY

- Patented Long-Life Alloy having the lowest calcium levels in the industry – minimizing grid growth, reducing gassing and extending battery life
- Proprietary Fixed Orifice Plate Pasting technology applying active material on both side of the grid for consistent cell-to-cell performance, higher capacity and longer life
- Thermally welded case-to-cover bond to insure a leak-proof seal
- UL recognized component
- Complies with UL 1778, UL924, UL1989 and UL94 V-2

REDUCED MAINTENANCE

- Multi-cell design for ease of installation and maintenance
- Threaded copper alloy terminal inserts eliminate connection re-torque requirements

SAFE OPERATION

- Absorbent Glass Mat (AGM) technology for efficient gas recombination (over 99%) and freedom from electrolyte maintenance
- Can be used in any position – upright, side or end mounting recommended
- Patented UL Recognized Flame-arresting one-way pressure relief vents for safety and long life
- Flame Retardant polypropylene case and cover compliant with UL 1778

EASILY TRANSPORTED

- Not restricted for surface transport – classified as non-hazardous material, complies with DOT-CFR Title 49 parts 171-189
- Not restricted for water transport – classified as non-hazardous material, complies with IMDG Exception 238
- Not restricted for air transport – classified as non-hazardous material, complies with IATA/ICAO Special Provision A67

WARRANTY

- 3 years full warranty

Capacity Ratings

475 Watts per cell	15 minute rate to 1.67 VPC at 77°F (25°F)
112 AH	20 hour rate to 1.75 VPC at 77°F (25°F)
103.8 AH - IEC Rating	10 hour rate to 1.80 VPC at 20°C (68°F)

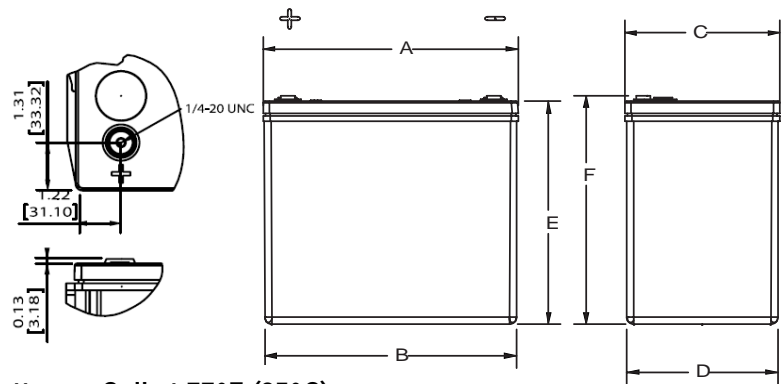
SPECIFICATIONS

Cells, Voltage per Unit	6 cells, 12 volts
Maximum Discharge Current	800 Amperes
Operating Temperature Range with temperature compensation	Discharge: -40°F (-40°C) to +160°F (71°C) Charge: -10°F (-23°C) to +140°F (60°C)
Nominal Operating Temperature Range	+74°F (23°C) to +80°F (27°C)
Recommended Maximum Charging Current Limit	C/5 amperes at 20-hr rate
Float Charging Voltage	13.5 to 13.8 VDC per unit average at 77°F (25°C)
Equalize charge and cycle service voltage	14.40 to 14.80 VDC per unit average at 77°F (25°C)
Maximum AC ripple	0.5% RMS or 1.5% P-P of float charge voltage recommended for best results.
Self Discharge	Battery can be stored up to 6 months at 77°F (25°C) before a freshening charge is required. Batteries stored at temperatures greater than 77°F (25°C) will require recharge sooner than batteries stored at lower temperatures. See C&D brochure 41-7272, Self Discharge and Inventory Control for details.
Terminal: inserted	Threaded copper alloy insert terminal to accept 1/4-20 UNC bolt
Terminal Hardware Torque	110 in.-lbs. (12.4 N-m)
Hardware Kit P/N 30035672	2 ea. 1/4-20 x 3/4" Hex Screws, 2 ea. Lock Washers and 2 ea. Flat Washers

DIMENSIONS & WEIGHT

	A	B	C	D	E	F
inches	13.42	12.75	6.80	6.54	8.40	8.52
mm	340.9	323.7	172.7	166.0	213.2	216.4

Unit Weight	83 pounds (38 kg)
--------------------	-------------------



CONSTANT POWER DISCHARGE RATINGS - Watts per Cell at 77°F (25°C)

End Volts/Cell	Reserve Time (minutes)									
	5	10	15	20	30	40	45	50	60	90
1.75	703	540	436	365	276	223	203	188	162	116
1.70	754	565	452	376	282	227	207	191	165	117
1.67	780	590	475	388	287	231	210	192	166	118
1.65	800	606	481	389	288	232	211	193	168	119
1.60	840	631	488	397	292	233	212	195	169	120

C&D TECHNOLOGIES, INC.

1400 Union Meeting Road
P.O. Box 3053 • Blue Bell, PA 19422-0858
(215) 619-2700 • Fax (215) 619-7899 • (800) 543-8630
customersvc@cdtechno.com
www.cdtechno.com

Any data, descriptions or specifications presented herein are subject to revision by C&D Technologies, Inc. without notice. While such information is believed to be accurate as indicated herein, C&D Technologies, Inc. makes no warranty and hereby disclaims all warranties, express or implied, with regard to the accuracy or completeness of such information. Further, because the product(s) featured herein may be used under conditions beyond its control, C&D Technologies, Inc. hereby disclaims all warranties, either express or implied, concerning the fitness or suitability of such product(s) for any particular use or in any specific application or arising from any course of dealing or usage of trade. The user is solely responsible for determining the suitability of the product(s) featured herein for user's intended purpose and in user's specific application.

Copyright 2007 C&D TECHNOLOGIES, INC. Printed in U.S.A. 12-1009