

HRL 12500W

12V 500W

HRL 12500W is specially designed for high efficient discharge and long life application. It's characteristics are small volume, light weight and high discharge efficiency. It can be used for more than 260 cycles at 100% discharge in cycle service.



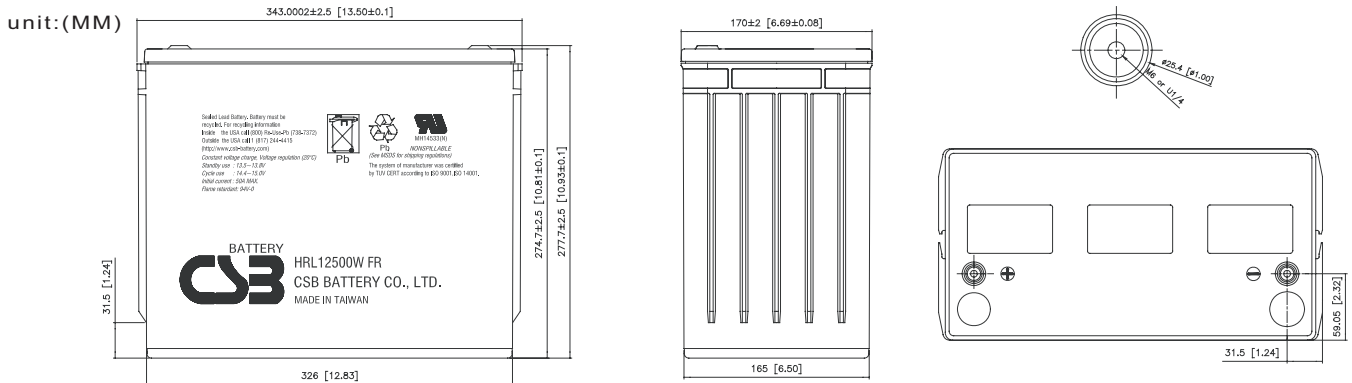
Specification

Cells Per Unit	6
Voltage Per Unit	12
Capacity	500W @15 minute-rate to 1.67V per cell @25°C (77°F)
Weight	Approx. 45.7kg(100.54 lbs)
Maximum Discharge Current	800A(5sec)
Internal Resistance	Approx. 3.7mΩ
Operating Temperature Range	Discharge: -15°C~50°C(5°F~122°F) Charge: -15°C~40°C(5°F~104°F) Storage: -15°C~40°C(5°F~104°F)
Nominal Operating Temperature Range	25°C ±3°C (77°F ±5°F)
Float Charging Voltage	13.5 to 13.8 VDC/unit Average at 25°C (77°F)
Recommended Maximum Charging	50A
Current Limit	
Equalization and Cycle Service	14.4 to 15.0 VDC/unit Average at 25°C (77°F)
Self Discharge	CSB Batteries can be stored for more than 6 months at 25°C(77°F). Please charge batteries before using. For higher temperatures the time interval will be shorter.
Terminal	Thread lead alloy recessed terminal to accept 1/4"-20bolt
Container Material	-PP plastics (UL 94 HB)*Flammability resistance of PPE (UL94-V0) can be available upon request..



CSB-manufactured batteries are UL-recognized components under UL924 as well as ISO 9001 and ISO 14001 certified.

Dimensions



Constant Current Discharge Characteristics Unit:Amperes(25°C,77°F)

F.V/Time	5MIN	7.5MIN	10MIN	15MIN	20MIN	30MIN	40MIN	50MIN	60MIN	90MIN
1.60V	491.00	455.00	401.00	294.00	235.00	172.00	136.00	112.00	95.70	67.20
1.67V	471.00	427.00	370.00	280.00	230.00	168.00	134.00	110.00	94.30	66.10
1.70V	462.00	411.00	353.00	271.00	225.00	166.00	133.00	109.00	93.50	65.40
1.75V	424.00	371.00	320.00	255.00	216.00	162.00	130.00	107.00	91.10	64.50
1.80V	369.00	323.00	282.00	233.00	199.00	153.00	123.00	102.00	87.30	62.00
1.85V	304.00	267.00	242.00	211.00	177.00	140.00	111.00	92.80	79.70	57.30

Constant Power Discharge Characteristics Unit:Watt(25°C,77°F)

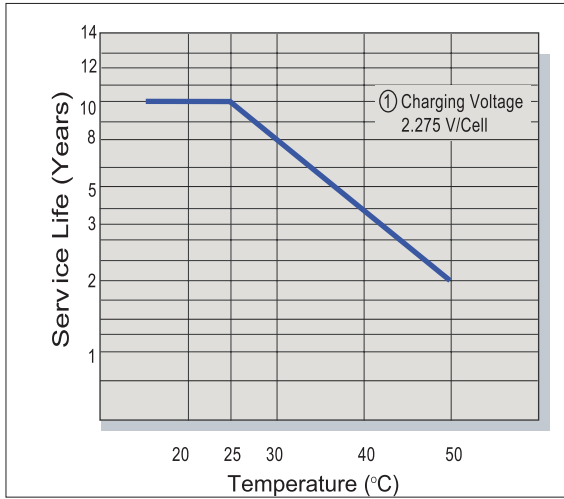
F.V/Time	5MIN	7.5MIN	10MIN	15MIN	20MIN	30MIN	40MIN	50MIN	60MIN	90MIN
1.60V	5,275.00	4,691.00	4,167.00	3,181.00	2,594.00	1,951.00	1,558.00	1,292.00	1,112.00	783.00
1.67V	4,981.00	4,439.00	3,910.00	3,018.00	2,490.00	1,910.00	1,520.00	1,276.00	1,091.00	769.00
1.70V	4,861.00	4,330.00	3,755.00	2,932.00	2,422.00	1,885.00	1,507.00	1,258.00	1,083.00	763.00
1.75V	4,468.00	4,037.00	3,479.00	2,748.00	2,309.00	1,822.00	1,466.00	1,237.00	1,066.00	754.00
1.80V	4,112.00	3,548.00	3,053.00	2,497.00	2,162.00	1,724.00	1,402.00	1,186.00	1,025.00	731.00
1.85V	3,366.00	2,882.00	2,573.00	2,203.00	1,964.00	1,564.00	1,297.00	1,118.00	977.00	695.00

• All mentioned values are average values.

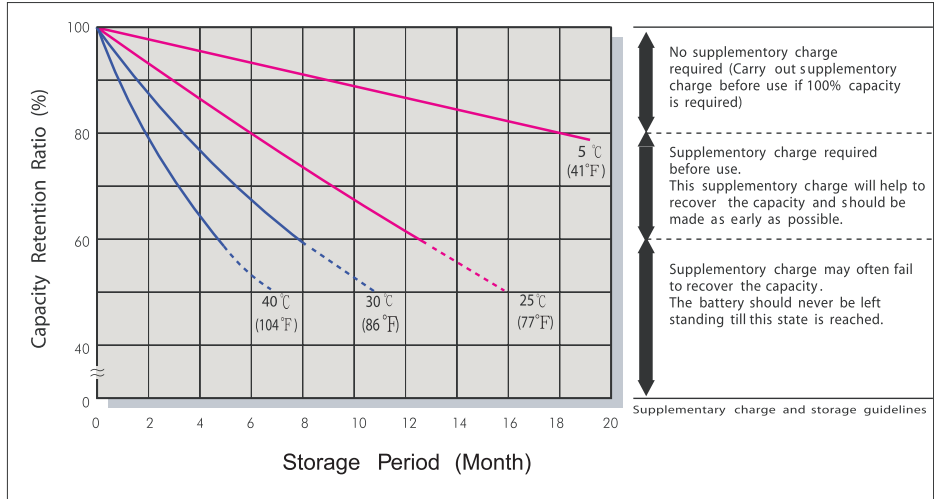
HRL 12500W 12V 500W



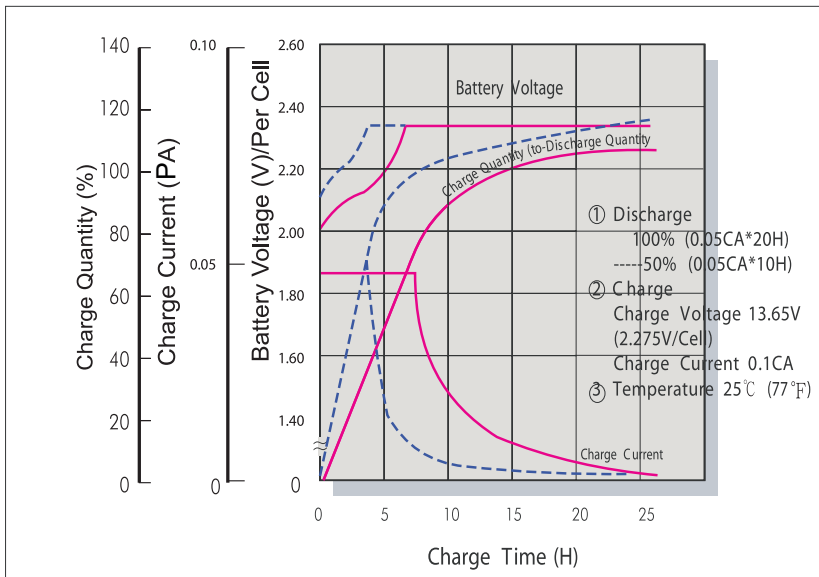
Trickle (or Float) Service Life



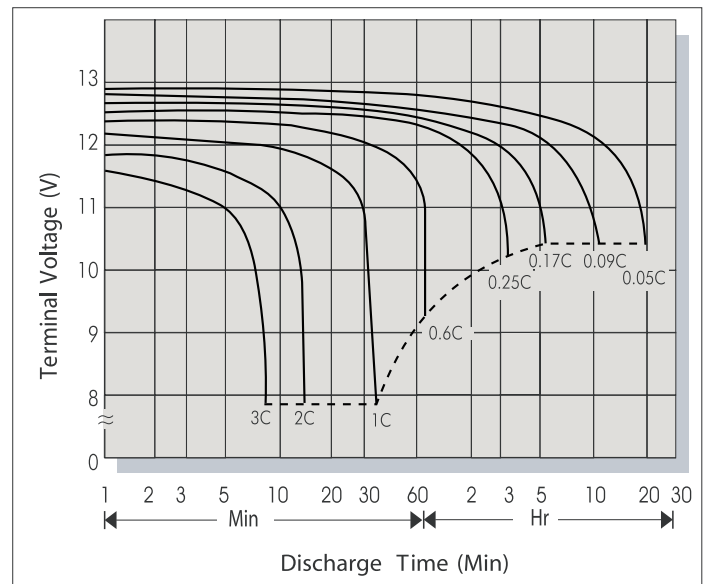
Capacity Retention Characteristic



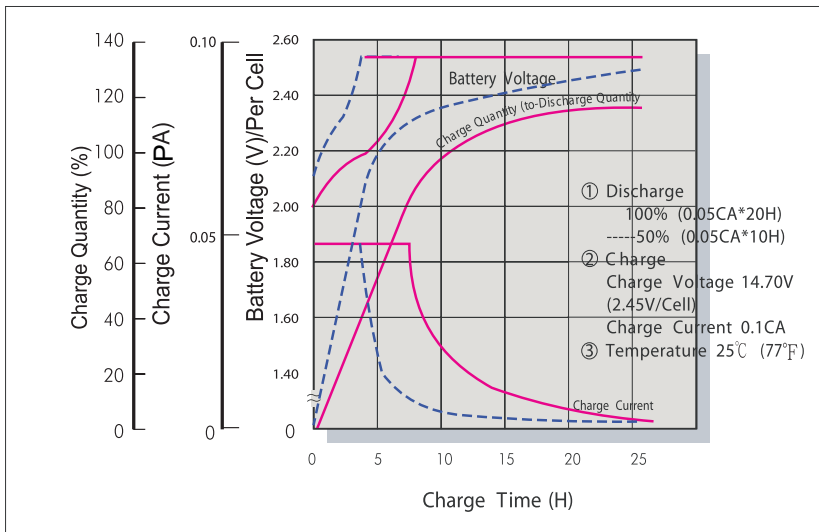
Battery Voltage and Charge Time for Standby Use



Terminal Voltage (V) and Discharge Time (25°C/77°F)



Battery Voltage and Charge Time for Cycle Use



Discharge Current VS. Discharge Voltage

Final Discharge Voltage V/Cell	1.75	1.70	1.55	1.30
Discharge Current (A)	0.2C >(A)	0.2C <(A)<0.5C	0.5C <(A)<1.0C	(A)>1.0C

Charging Procedures

Application	Charge Voltage (V/Cell)			Max. Charge Current
	Temperature	Set Point	Allowable Range	
Cycle Use	25°C (77°F)	2.45	2.40~2.50	0.1PA
Standby	25°C (77°F)	2.275	2.25~2.30	

Sales Office URL: WWW.CSB-BATTERY.COM

CSB BATTERY CO., LTD.
TAIWAN OFFICE
Tel: +886-2-8751-5000
Fax: +886-2-8751-6161
E-mail: service@csb-battery.com.tw

CSB BATTERY LOGISTICS (SHANGHAI) CO., LTD.
SHANGHAI OFFICE
Tel: +86-21-5046-1622, 5046-0833
Fax: +86-21-5064-3314

CSB BATTERY TECHNOLOGIES, INC
USA OFFICE
Tel: +1-817-244-7777/1-8003 CSBUSA(272872)
Fax: +1-817-244-4445
E-mail: csb@csb-battery.com

CSB BATTERY LOGISTICS (SHANGHAI) CO., LTD.
BEIJING OFFICE
Tel: +86-10-6597-8060, 6597-8070
Fax: +86-10-6597-8050
E-mail: chinasls@csb-battery.com

CSB BATTERY OF NETHERLANDS B.V
NETHERLANDS OFFICE
Tel: +31(0) 180 418 140
Fax: +31(0) 180 418 327
E-mail: eurosales@csb-battery.com

CSB BATTERY LOGISTICS (SHANGHAI) CO., LTD.
SHENZHEN OFFICE
Tel: +86-755-88316356 88316488 88316396
Fax: +86-755-88316548
E-mail: she@csb-battery.com