



**VALVE REGULATED
LEAD ACID BATTERY (V.R.L.A.)**



**ABSORBED GLASS MAT
TECHNOLOGY (A.G.M.)**



**10 YEAR DESIGN FOR UPS AND
STANDBY APPLICATIONS**



Features

- Gas recombination greater than 99%.
- Operates at a low internal pressure.
- Never needs watering, minimal maintenance.
- 99.7% pure lead calcium grids.
- Shock absorbent thick wall construction.
- Cold forged non-porous terminal bushings, eliminate post leakage.
- Thermally welded case to cover bond, eliminates both acid and electrical leaks.
- Over-sized, through the partition inter-cell welds provide low resistance connections, with minimal power loss.
- Each cell has a low pressure safety release venting system, recognized per U.L. 924.
- Measured high vacuum acid fill, reduces electrical variability between cells.
- 100% recyclable materials.

Options

- The TC-6200S battery has a flame retardant polypropylene case and cover compliant with UL 1778; with an oxygen index greater than 28%.
- Terminal covers and custom inter-connecting battery cables.

Specifications

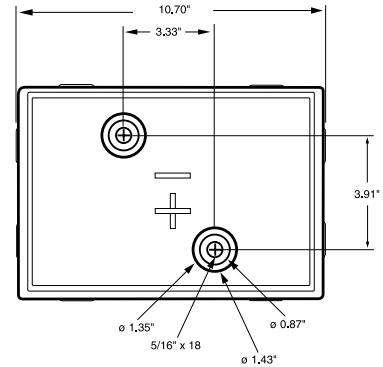
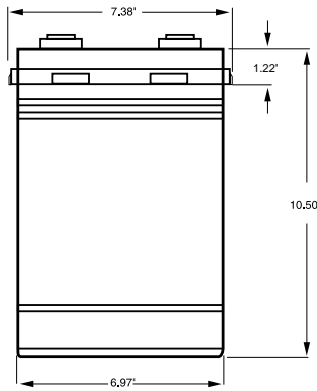
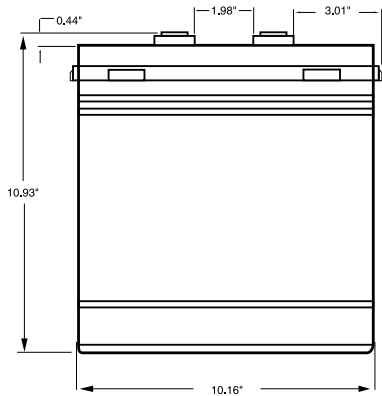
Cells per unit	3
Nominal voltage	6
Terminal type	1/4" Stud
Maximum discharge current	987 amps
Short circuit current	5750 amps
Impedance @ 77°F 25°C	1.20 milliohms
Weight lbs / kgs	76.3 / 34.6
Electrolyte (S.G.)	1.300
Capacity @ 77°F (25°C) to 1.75 V.P.C.	208.0 AH (20 hrs) 182.4 AH (8 hrs)
Ideal operating temperature range	+68°F (+20°C) to +77°F (+25°C)
Extended operating temperature range	Discharge: -40°F (-40°C) to +140°F (+60°C) Charge: -40°F (-40°C) to +122°F (+50°C)
Float Voltage	13.5 to 13.8 @ 77°F (25°C)
Maximum charging current	C/4 amperes at 100% discharge Unlimited at partial discharge.
AC ripple from charging source	1.5% peak to peak of float charge voltage
Storage	6 months at 77°F (25°C)

No transport restrictions

- Surface transport. Classified as non-hazardous material as relates to DOT-CFR Title 49 part 171-189.
- Maritime transport. Non hazardous as per IMDG amendment 27.
- Air transport. Complies with IATA / ICAO, special provision A67.

DISCHARGE SPECIFICATIONS

Constant power ratings, Watts per battery @ 77°F (25°C) in minutes										
Final V.P.C.	5	10	15	20	30	40	45	50	60	90
1.60	3220	2399	1901	1593	1229	1004	931	858	755	551
1.67	3019	2292	1856	1562	1203	984	912	841	740	543
1.70	2916	2245	1823	1544	1188	972	902	832	733	537
1.75	2742	2071	1759	1506	1164	961	893	825	724	532



CR4

POWER BATTERY offers an extensive line of pre-wired and fused battery cabinets complete with UL and CUL approval. Standard and custom DC voltages complete with breakers and chargers are available.

Battery Cabinet Systems (pre-wired with PRC/TC-6200S batteries)					
Battery cabinet model	Maximum # of batteries	Dimensions			
		inches / millimeters			Weight lbs / kgs
		W	D	H	
KS6	4	16.0/406	34.5/876	17.75/451	388/176
KS7	8	16.0/406	34.5/876	37.25/946	776/353
CR1	12	24.0/610	32.5/826	43.0/1092	1198/545
CR3	20	40.0/1016	32.5/826	43.0/1092	1890/859
CR6	30	40.0/1016	32.5/826	60.0/1524	2788/1267
CR4	40	40.0/1016	32.5/826	77.0/1956	3686/1675
CR5	48	48.0/1219	32.5/826	77.0/1956	

Constant current ratings, Amperes @ 77°F (25°C) in hours										
Final V.P.C.	1	2	3	4	5	6	8	10	12	24
1.75	125	72.4	52.5	41.3	34.1	29.2	22.8	18.8	16.1	8.90
1.80	119	70.0	50.6	39.6	32.7	28.0	21.9	18.1	15.4	8.40
1.85	111	66.6	48.1	37.8	31.2	26.8	21.0	17.2	14.7	8.00
1.90	100	61.3	44.4	35.3	29.4	25.4	20.0	16.4	14.0	7.60