

FRONT ACCESS



**VALVE REGULATED
LEAD ACID BATTERY (V.R.L.A.)**



**ADVANCED ABSORBED GLASS
MAT TECHNOLOGY (A.G.M.)**



**LONG DURATION BATTERIES
DESIGNED FOR MAXIMUM LIFE**



10 VOLT CONFIGURATION AVAILABLE !

The **CSL** series of batteries are ideal for installations where real estate is at a premium. The front access design together with the connectors and terminal covers, permit rapid installation and reduced maintenance time.

Features

- Flame-retardant polypropylene case and cover compliant with UL94 V-0 with an Oxygen Limiting Index of greater than 28%.
- Gas recombination greater than 99%.
- Operates at a low internal pressure.
- Never needs watering, minimal maintenance.
- 99.7% pure lead, calcium alloy grids.
- Shock absorbent thick wall polypropylene cases.
- Cold forged non-porous terminal bushings, eliminate post leakage.
- Thermally welded case to cover bond, eliminates both acid and electrical leaks.
- Over-sized, through the partition inter-cell welds provide low resistance connections, with minimal power loss.
- Flame arresting, low pressure safety release venting system for individual cells, recognized per U.L. 924.
- Measured high vacuum acid fill, reduces electrical variability between cells.
- 100% recyclable materials.
- Terminal and bussbar covers

Options

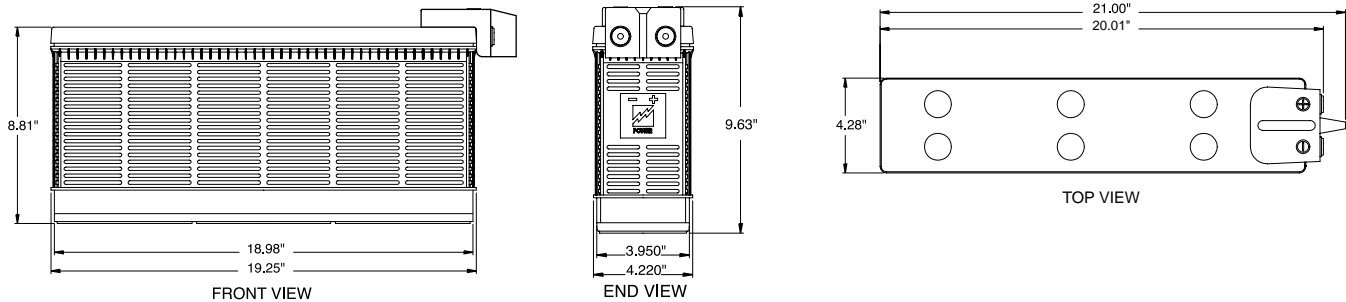
- Custom wire harnesses.

Specifications

Cells per unit	6
Nominal voltage	12
Terminal type	Threaded copper insert, 1/4"
Short circuit current	4452 amps
Impedance @ 77°F 25°C	3.10 milliohms
Weight lbs / kgs	80.0 / 36.2
Electrolyte (S.G.)	1.300
Capacity @ 77°F (25°C)	100 AH (8 hrs) to 1.75 V.P.C.
Ideal operating temperature range	+68°F (+20°C) to +77°F (+25°C)
Extended operating temperature range	Discharge: -40°F (-40°C) to +140°F (+60°C) Charge: -4°F (-20°C) to +122°F (+50°C)
Float Voltage	13.5 to 13.8 @ 77°F (25°C)
Recommended maximum charging current	C/4 amperes at 100% discharge Unlimited at partial discharge.
AC ripple from charging source	1.5% peak to peak of float
Storage period without recharge	6 months at 77°F (25°C)

No transport restrictions

- Surface transport. Classified as non-hazardous material as relates to DOT-CFR Title 49 part 171-189.
- Maritime transport. Non hazardous as per IMDG amendment 27.
- Air transport. Non hazardous complies with IATA / ICAO, special provision A67.



POWER BATTERY offers a wide range of battery racks with configurations to meet most telecom requirements. Custom design systems are also available.



EZ rack model	Number # of batteries	Dimensions in. / mm			Weight lbs / kgs
		Width	Depth	Height	
EZ1	8	20.31 / 516	23.46 / 596	22.50 / 572	749 / 340
EZ2	4	20.31 / 516	23.46 / 596	12.00 / 305	376 / 171

Battery tray model	Number # of batteries	Dimensions in. / mm			Weight lbs / kgs
		Width	Depth	Height	
BT-19	4	19.00 / 483	21.25 / 540	6.56 / 167	354 / 161
BT-23	4	23.00 / 584	21.25 / 540	6.56 / 167	359 / 163

Hours discharge rates in constant current (Amperes) and constant power (Watts) @ 77°F (25°C)														
Volts per cell		1	2	3	4	5	6	7	8	9	10	12	24	30
1.75	Amps	68.7	39.8	28.9	22.7	18.7	16.0	14.0	12.5	10.8	9.89	8.45	4.65	3.83
	* Watts	796	466	334	265	216	185	163	149	132	121	104	58.0	48.4
1.80	Amps	65.5	38.5	27.5	21.7	17.9	15.3	13.5	11.6	10.5	9.56	8.17	4.49	3.71
	* Watts	769	454	325	256	209	179	157	144	127	117	100	56.0	46.3
1.85	Amps	61.2	36.6	26.4	20.8	17.1	14.7	12.8	11.0	10.0	9.16	7.83	4.31	3.56
	* Watts	732	435	313	247	199	171	150	139	121	111	95.0	53.0	43.7
1.90	Amps	54.9	33.7	24.4	19.4	15.6	13.4	11.8	10.5	9.53	8.72	7.48	4.18	3.46
	* Watts	671	410	297	237	189	162	142	134	116	106	91.0	51.0	41.9

* For 10 Volt models reduce the Watts by 16.66%

U.S.A.
Power Battery Company, Inc.
 25 McLean Blvd.
 Paterson, N.J. 07514-1507
 Phone: (973) 523-8630
 Fax: (973) 523-3023
 E-mail: sales@powbat.com
 Web page: www.powerbattery.com

CANADA
Power Battery (Iberville) Ltd.
 770 Thomas Ave.
 Iberville, Québec, J2X 5E7
 Phone: (450) 346-3273
 Fax: (450) 346-8003
 E-mail: powerbat@sympatico.ca
 Web page: www.powerbattery.com

UK
Power Batteries Ltd.
 Premier Way, Abbey Park Industrial Estate
 Romsey, Hampshire, SO51 9AQ
 Phone: +44 (0)1794 835900
 Fax: +44 (0)1794 835910
 E-mail: sales@powbat.co.uk
 Web page: www.powbat.co.uk

ITALY
Power Battery Srl
 Via Locatelli 105
 20046 Biassono MI - ITALY
 Phone: +(39) 039 2324571
 Fax: +(39) 349 2499200
 E-mail: calberti@powbat.it
 Web page: www.powbat.it