



**VALVE REGULATED
LEAD ACID BATTERY (V.R.L.A.)**



**ABSORBED GLASS MAT
TECHNOLOGY (A.G.M.)**



**10 YEAR DESIGN FOR UPS AND
STANDBY APPLICATIONS**



Features

- Gas recombination greater than 99%.
- Operates at a low internal pressure.
- Never needs watering, minimal maintenance.
- 99.7% pure lead calcium grids.
- Shock absorbent thick wall construction.
- Cold forged non-porous terminal bushings, eliminate post leakage.
- Thermally welded case to cover bond, eliminates both acid and electrical leaks.
- Over-sized, through the partition inter-cell welds provide low resistance connections, with minimal power loss.
- Each cell has a low pressure safety release venting system, recognized per U.L. 924.
- Measured high vacuum acid fill, reduces electrical variability between cells.
- 100% recyclable materials.

Options

- The TC-12100S battery has a flame retardant polypropylene case and cover compliant with UL 1778; with an oxygen index greater than 28%.
- Terminal covers and custom inter-connecting battery cables.

Specifications

| | |
|---------------------------------------|---|
| Cells per unit | 6 |
| Nominal voltage | 12 |
| Terminal type | 1/4" Stud |
| Maximum discharge current | 600 amps |
| Short circuit current | 3366 amps |
| Impedance @ 77°F 25°C | 4.10 milliohms |
| Weight lbs / kgs | 71.9 / 32.6 |
| Electrolyte (S.G.) | 1.300 |
| Capacity @ 77°F (25°C) to 1.75 V.P.C. | 91.0 AH (20 hrs) 82.4 A.H. (8 hrs) |
| Ideal operating temperature range | +68°F (+20°C) to +77°F (+25°C) |
| Extended operating temperature range | Discharge: -40°F (-40°C) to +140°F (+60°C) Charge: -40°F (-40°C) to +122°F (+50°C) |
| Float Voltage | 13.5 to 13.8 @ 77°F (25°C) |
| Maximum charging current | C/4 amperes at 100% discharge Unlimited at partial discharge. |
| AC ripple from charging source | 1.5% peak to peak of float charge voltage |
| Storage | 6 months at 77°F (25°C) |

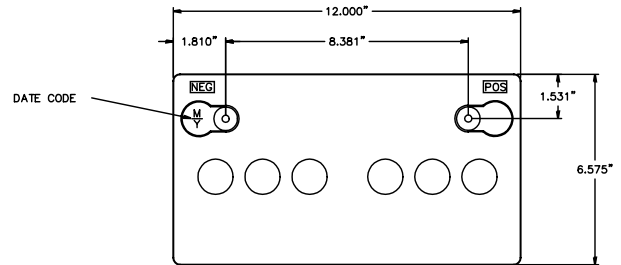
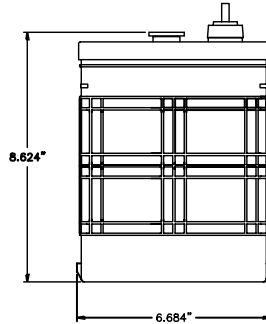
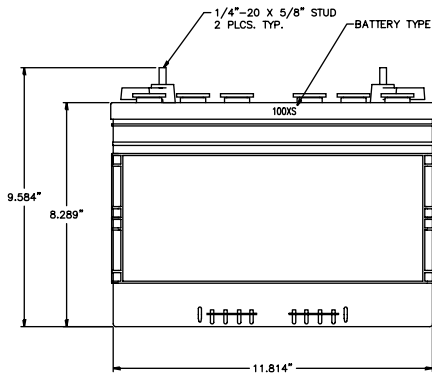
No transport restrictions

- Surface transport. Classified as non-hazardous material as relates to DOT-CFR Title 49 part 171-189.
- Maritime transport. Non hazardous as per IMDG amendment 27.
- Air transport. Complies with IATA / ICAO, special provision A67.

DISCHARGE SPECIFICATIONS

| Constant power ratings, Watts per battery @ 77°F (25°C) in minutes | | | | | | | | | | |
|--|------|------|------|------|------|-----|-----|-----|-----|-----|
| Final V.P.C. | 5 | 10 | 15 | 20 | 30 | 40 | 45 | 50 | 60 | 90 |
| 1.60 | 3371 | 2501 | 1930 | 1579 | 1170 | 939 | 865 | 791 | 688 | 502 |
| 1.67 | 3257 | 2454 | 1909 | 1564 | 1161 | 933 | 860 | 787 | 685 | 501 |
| 1.70 | 3207 | 2436 | 1896 | 1555 | 1157 | 930 | 857 | 785 | 684 | 497 |
| 1.75 | 3041 | 2293 | 1827 | 1525 | 1146 | 922 | 850 | 778 | 678 | 496 |

Specifications subject to change without notice



CR3 cabinet model

Power Battery offers an extensive line of pre-wired and fused battery cabinets complete with UL and CUL approval. Standard and custom DC voltages complete with breakers and chargers are available.

| Battery Cabinet Systems (pre-wired with PRC/TC-12100S batteries) | | | | | |
|--|------------------------|----------------------|------------|-------------|------------------|
| Battery cabinet model | Maximum # of batteries | Dimensions | | | Weight lbs / kgs |
| | | inches / millimeters | | | |
| | | W | D | H | |
| KS5 | 2 | 15.0 / 381 | 25.0 / 635 | 15.75 / 400 | 181 / 85.8 |
| KS6 | 4 | 16.0 / 406 | 34.5 / 876 | 17.75 / 451 | 367 / 166.8 |
| KS7 | 8 | 16.0 / 406 | 34.5 / 876 | 37.25 / 946 | 733 / 333 |
| CR1 | 12 | 24.0 / 610 | 32.5 / 826 | 43.0 / 1092 | 1135 / 567.5 |
| CR3 | 20 | 40.0 / 1016 | 32.5 / 826 | 43.0 / 1092 | 1784 / 810.9 |
| CR6 | 30 | 40.0 / 1016 | 32.5 / 826 | 60.0 / 1524 | 2629 / 1195 |
| CR4 | 40 | 40.0 / 1016 | 32.5 / 826 | 77.0 / 1956 | 3474 / 1579.1 |

Constant current ratings, Amperes @ 77°F (25°C) in hours

| Final V.P.C. | 1 | 2 | 3 | 4 | 5 | 6 | 8 | 10 | 12 | 24 |
|--------------|------|------|------|------|------|------|------|------|------|------|
| 1.75 | 57.1 | 33.2 | 24.1 | 19.0 | 15.6 | 13.3 | 10.3 | 8.40 | 7.17 | 3.87 |
| 1.80 | 56.3 | 32.9 | 23.9 | 18.6 | 15.4 | 13.1 | 10.2 | 8.35 | 7.11 | 3.82 |
| 1.85 | 54.1 | 32.0 | 23.1 | 18.0 | 14.9 | 12.7 | 9.80 | 8.07 | 6.86 | 3.69 |
| 1.90 | 49.7 | 29.9 | 21.7 | 17.0 | 14.0 | 11.9 | 9.10 | 7.46 | 6.28 | 3.41 |

U.S.A.
Power Battery Company, Inc.
 25 McLean Blvd.
 Paterson, N.J. 07514-1507
 Phone: (973) 523-8630
 Fax: (973) 523-3023
 E-mail: sales@powbat.com
 Web page: www.powerbattery.com

CANADA
Power Battery (Iberville) Ltd.
 770 Thomas Ave.
 Iberville, Québec, J2X 5E7
 Phone: (450) 346-3273
 Fax: (450) 346-8003
 E-mail: powerbat@sympatico.ca
 Web page: www.powerbattery.com

UK
Power Batteries Ltd.
 Premier Way, Abbey Park Industrial Estate
 Romsey, Hampshire, SO51 9AQ
 Phone: +44 (0)1794 835900
 Fax: +44 (0)1794 835910
 E-mail: sales@powbat.co.uk
 Web page: www.powbat.co.uk

ITALY
Italian Sales Office
 Via Locatelli 105
 20046 Biassono MI - ITALY
 Phone: +(39) 039 2324571
 Fax: +(39) 039 2499200
 E-mail: calberti@powbat.co.uk
 Web page: www.powbat.co.uk