
RANGE SUMMARY

The PowerSafe V Front Terminal range of valve regulated lead acid batteries has been designed specifically for use in applications which demand the highest levels of security and reliability. With proven compliance to the most rigorous international standards, PowerSafe V is recognized worldwide as a premium battery for Telecom applications. PowerSafe V's reputation for long service life, together with excellent high rate performance, also makes it ideal for high integrity, high specification UPS systems.

PowerSafe V delivers superior performance while occupying less space than conventional standby power batteries. The PowerSafe V Front Terminal monobloc's compact design, suitable for 19", 23" and ETSI racking, provides users with the benefit of increased energy density. With all electrical connections at the front, installation and inspection are both quicker and easier.

PowerSafe V batteries are designed using proven gas recombination technology which removes the need for regular water addition by controlling the evolution of hydrogen and oxygen during charging. Oxygen evolved at the positive plates diffuses through microporous separators to the negative plates, and, by a series of chemical reactions within the cell, recombines to form water. Each cell incorporates its own safety valve that allows the controlled release of gas when pressure builds up within the cell.

The use of gas recombination technology for lead acid batteries has totally changed the concept of standby power. This technology provides the user with the freedom to use lead acid batteries in a wide range of applications.

Features & Benefits

- Capacity range: 31Ah - 155Ah
- Front terminal connections for fast and easy installation and maintenance
- Suitable for 19", 23" and ETSI racking
- UL94 V-0 flame retardant container and cover
- High reliability
- Proven long service life



Construction

- Positive and negative plates in lead-tin-calcium for all types of 100Ah or more. All others in lead-tin alloy
- Separators in low resistance microporous glass fiber. The electrolyte is absorbed within this material, preventing acid spills in case of accidental damage
- Container and cover in flame retardant ABS material, highly resistant to shock and vibration
- Terminal with brass insert for maximum conductivity and with high compression grommet for long life
- Self-regulating pressure relief valve prevents ingress of atmospheric oxygen

Installation & Operation

- The PowerSafe V Front Terminal range is designed for installation in cabinets or on stands, close to the point of use. A separate battery room is not necessary
- It is recommended that PowerSafe V Front Terminal monoblocs are installed on their base
- Recommended float charge voltage 2.280Vpc at 68°F (20°C) or 2.265Vpc at 77°F (25°C)
- Six months shelf life at 68°F (20°C)
- Reduced maintenance: no water addition required

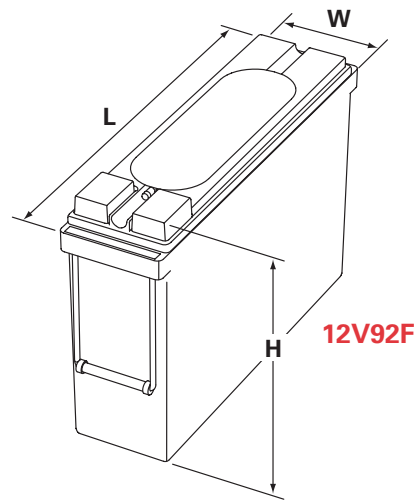
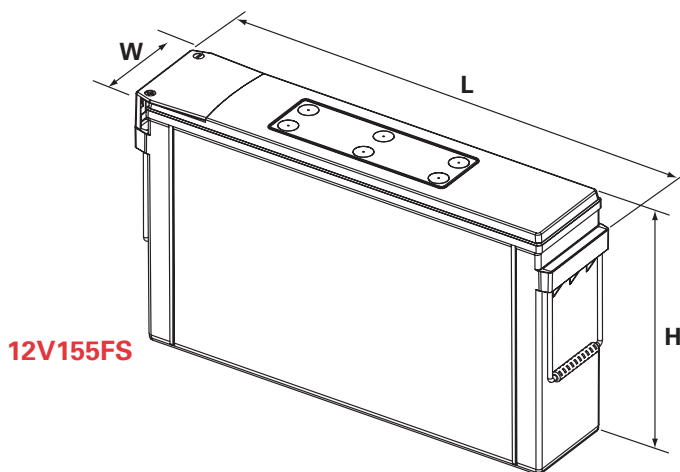
Standards

- Compliant with IEC 60896-22 and BS 6290 Part 4
- Designed to be compliant with Telcordia SR-4228
- Recognized by UL (UL Standard 1989)
- Approved to be shipped as non-hazardous cargo in accordance with the requirements of IMDG (International Maritime code for Dangerous Goods) and OICA (Organisation of International Civil Aviation)
- Manufactured in EnerSys production facilities certified to ISO 9001:2000

General Specifications

Type	Number of Cells	Nominal Voltage (V)	Nominal Capacity (Ah)		Nominal Dimensions				Overall Height		Typical Weight		Short Circuit Current (A)	Internal Resistance (mΩ)	Terminals
			10 hr rate to 1.80Vpc @ 20°C	8 hr rate to 1.75Vpc @ 77°F	Length mm	Length in	Width mm	Width in	mm	in	kg	lbs			
12V30F	6	12	31	31	280	11.0	97	3.8	159	6.3	10.8	23.8	1327	9.87	M8 F
12V38F	6	12	38	38	280	11.0	97	3.8	184	7.2	12.5	27.6	1500	8.53	M8 F
12V62F	6	12	62	62	280	11.0	97	3.8	264	10.4	19.7	43.5	2100	5.87	M8 F
12V92F*	6	12	92	92	395	15.6	105	4.1	264	10.4	28.0	61.7	2500	5.05	M8 F
8V100F*	4	8	100	100	384	15.1	125	4.9	228	9.0	32.0	70.5	3636	2.20	M6 M
12V100F*	6	12	100	100	558	22.0	125	4.9	228	9.0	47.5	104.7	3636	3.30	M6 M
12V105F*	6	12	105	107	561	22.1	125	4.9	235	9.3	46.0	101.4	3500	3.60	M6 M
12V125F*	6	12	125	126	561	22.1	105	4.1	316	12.4	56.0	123.5	3818	3.30	M6 M
12V155FS*	6	12	150	155	561	22.1	125	4.9	283	11.1	57.0	125.6	3435	3.20	M6 M

* With rope handles



www.enersys.com

Global Headquarters
P.O. Box 14145
Reading, PA 19612-4145
USA
Tel: +1-610-208-1991
+1-800-538-3627
Fax: +1-610-372-8613

EnerSys EMEA
Brussels, Belgium
Tel: +32 (0)2 247 94 47

EnerSys Asia
Guangdong, China
Tel: +86-755-2689 3639

Distributed by:

Printed in USA